

WESAN WP G

WOLTMAN METER

DIEHL
Metering



APPLICATION

WESAN WP G is a bulk water meter designed for measuring volumes of cold water (up to 50°C) in supply lines with high flow at low pressure loss. Modular, WESAN WP G DN50 to DN300 can be fitted at any time with an IZAR clip-on module converting it into a communicating meter ready for mobile or fixed network (radio/wired) reading. The measuring chamber can be replaced without removing the meter from the pipe.

FEATURES

- ▶ DN50/65/80/100/125/150/200/250/300
- ▶ Q3=40m³/h (DN50) / Q3=63m³/h (DN65) / Q3=100m³/h (DN80) / Q3=160m³/h (DN100/125) / Q3=250m³/h (DN150/200) / Q3=1,000m³/h (DN250) / Q3=1,600m³/h (DN300)
- ▶ MID approval up to R=100
- ▶ For horizontal and vertical installation
- ▶ Calibratable and exchangeable measuring insert
- ▶ Sealed measuring insert for better accuracy
- ▶ Encapsulated and rotating glass/copper register, IP 68
- ▶ Hydraulic bearing relief
- ▶ Protection against magnetic fraud

WESAN WP G

WOLTMAN METER

GENERAL

| WESAN WP G | | |
|-------------------------------|--------|-----------------|
| Medium temperature range | °C | 1 ... 30 |
| Temperature safety | °C | 1 ... 50 |
| Ambient operating temperature | °C | 1 ... 55 |
| Ambient storage temperature | °C | 1 ... 55 |
| Nominal pressure | PN bar | 16 ¹ |
| Protection class | | IP 68 |

¹ special versions on request

TECHNICAL DATA

| Nominal diameter | DN | mm | 50 | 65 | 80 | 100 | 125 |
|------------------------------------|----------------|-------------------|------|-------|------|------|------|
| Permanent flow rate | Q ₃ | m ³ /h | 40 | 63 | 100 | 160 | 160 |
| Starting flow rate | | l/h | 90 | 130 | 160 | 190 | 190 |
| Minimum flow rate | Q ₁ | m ³ /h | 0.63 | 1.26 | 1 | 1.6 | 1.6 |
| Transitional flow rate | Q ₂ | m ³ /h | 1.02 | 2.02 | 1.6 | 2.56 | 2.56 |
| Overload flow rate | Q ₄ | m ³ /h | 50 | 78.75 | 125 | 200 | 200 |
| Flow rate at 0.1 bar pressure loss | | m ³ /h | 29 | 50 | 95 | 95 | 95 |
| Pressure loss at Q ₃ | | bar | 0.19 | 0.16 | 0.14 | 0.28 | 0.29 |

| Nominal diameter | DN | mm | 150 | 200 | 250 ² | 300 ² |
|------------------------------------|----------------|-------------------|-------|-------|------------------|------------------|
| Permanent flow rate | Q ₃ | m ³ /h | 250 | 250 | 1,000 | 1,600 |
| Starting flow rate | | l/h | 1,500 | 2,500 | 5,000 | 10,000 |
| Minimum flow rate | Q ₁ | m ³ /h | 5 | 5 | 10 | 16 |
| Transitional flow rate | Q ₂ | m ³ /h | 8 | 8 | 16 | 25.6 |
| Overload flow rate | Q ₄ | m ³ /h | 312.5 | 312.5 | 1,250 | 2,000 |
| Flow rate at 0.1 bar pressure loss | | m ³ /h | 290 | 550 | 800 | 1,250 |
| Pressure loss at Q ₃ | | bar | 0.08 | 0.02 | 0.16 | 0.16 |

² only available without approval

APPROVAL

| Nominal diameter | DN | mm | 50 | 65 | 80 | 100 | 125 |
|---|----------------|----|------------|------------|------------|------------|------------|
| MID (DE-13-MI001-PTB005) | | | • | • | • | • | • |
| Dynamic range (Q ₃ /Q ₁) | R ³ | | 63•H | 50•H | 100 | 100 | 100 |
| Sanitary conformity | | | KTW / W270 | KTW / W270 | KTW / W270 | KTW / W270 | KTW / W270 |

| Nominal diameter | DN | mm | 150 | 200 | 250 ² | 300 ² |
|---|----------------|----|------------|------------|------------------|------------------|
| MID (DE-13-MI001-PTB005) | | | • | • | - | - |
| Dynamic range (Q ₃ /Q ₁) | R ³ | | 50 | 50 | 100 | 100 |
| Sanitary conformity | | | KTW / W270 | KTW / W270 | KTW / W270 | KTW / W270 |

² only available without approval

³ standard dynamic other dynamics on request

DISPLAY RANGE

| Nominal diameter | DN | mm | 50 | 65 | 80 | 100 | 125 |
|------------------------------------|----|----|----|----|----|-----|-----|
| 0.5 l ... 999,999 m ³ | | | • | • | • | • | • |
| 5.0 l ... 9,999,999 m ³ | | | - | - | - | - | - |
| 50 l ... 99,999,999 m ³ | | | - | - | - | - | - |

| Nominal diameter | DN | mm | 150 | 200 | 250 ² | 300 ² |
|------------------------------------|----|----|-----|-----|------------------|------------------|
| 0.5 l ... 999,999 m ³ | | | - | - | - | - |
| 5.0 l ... 9,999,999 m ³ | | | • | • | • | • |
| 50 l ... 99,999,999 m ³ | | | - | - | - | - |

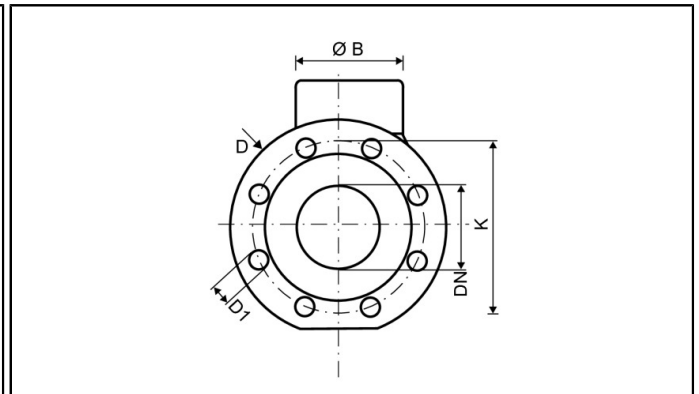
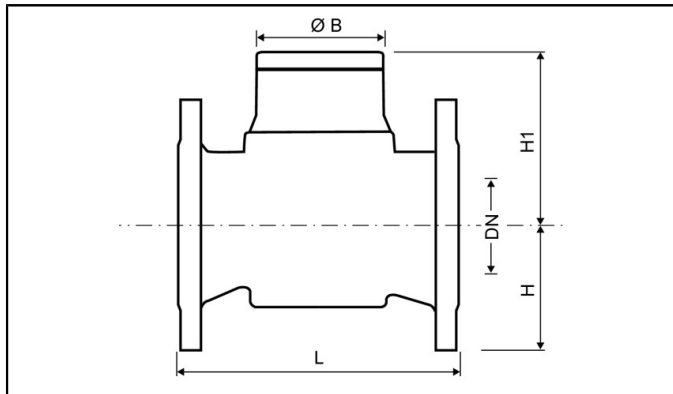
² only available without approval

Diehl Metering S.A.S. - Head Office - 67 rue du Rhône - BP 10160 - FR-68304 Saint-Louis Cedex - Phone: + 33 (0)3 89 69 54 00 - Fax: + 33 (0)3 89 69 72 20 - metering-France-info@diehl.com - www.diehl.com/metering
International Sales - 67 rue du Rhône - BP 10160 - FR-68304 Saint-Louis Cedex - Phone: + 33 (0)3 89 69 54 21 - Fax: + 33 (0)3 89 69 54 22 - metering-France-export@diehl.com
Subject to technical adjustments.

WESAN WP G

WOLTMAN METER

DIMENSIONS



| Nominal diameter | DN | mm | 50 | 65 | 80 | 100 | 125 |
|------------------------------------|-----|-----|-----------|-----------|---|------------------------|---------|
| Overall length | L | mm | 200 / 300 | 200 | 200 ⁴ / 225 / 350 ⁴ | 250 / 350 ⁴ | 250 |
| Flange diameter | D | mm | 165 | 185 | 200 | 220 | 250 |
| Hole circle diameter PN 10 / PN 16 | K | mm | - / 125 | - / 145 | 160 / 160 | - / 180 | - / 210 |
| Number of screwholes PN 10 / PN 16 | | pcs | - / 4 | - / 4 | 4 / 8 | - / 8 | - / 8 |
| Screwhole diameter PN 10 / PN 16 | D1 | mm | - / 18 | - / 18 | 18 / 18 | - / 18 | - / 18 |
| Height | H | mm | 75 | 83 | 89 | 105 | 115 |
| Height | H1 | mm | 103 | 103 | 134 | 134 | 134 |
| Height to remove measuring insert | | mm | 205 | 205 | 255 | 255 | 255 |
| Meter width | | mm | 155 | 155 | 200 | 220 | 250 |
| Diameter | Ø B | mm | 110 | 110 | 110 | 110 | 110 |
| Weight | | kg | 10.2 | 11.2 | 13 | 16 | 21.5 |
| Nominal diameter | DN | mm | 150 | 200 | 250 ² | 300 ² | |
| Overall length | L | mm | 300 | 350 | 450 | 500 | |
| Flange diameter | D | mm | 285 | 340 | 405 | 460 | |
| Hole circle diameter PN 10 / PN 16 | K | mm | - / 240 | 295 / 295 | 350 / 355 | 400 / 410 | |
| Number of screwholes PN 10 / PN 16 | | pcs | - / 8 | 8 / 12 | 12 / 12 | 12 / 12 | |
| Screwhole diameter PN 10 / PN 16 | D1 | mm | - / 22 | 22 / 22 | 23 / 27 | 23 / 27 | |
| Height | H | mm | 135 | 163 | 193 | 230 | |
| Height | H1 | mm | 225 | 225 | 222 | 270 | |
| Height to remove measuring insert | | mm | 255 | 455 | 452 | 500 | |
| Meter width | | mm | 285 | 340 | 405 | 460 | |
| Diameter | Ø B | mm | 110 | 110 | 110 | 110 | |
| Weight | | kg | 39 | 47 | 75 | 165 | |

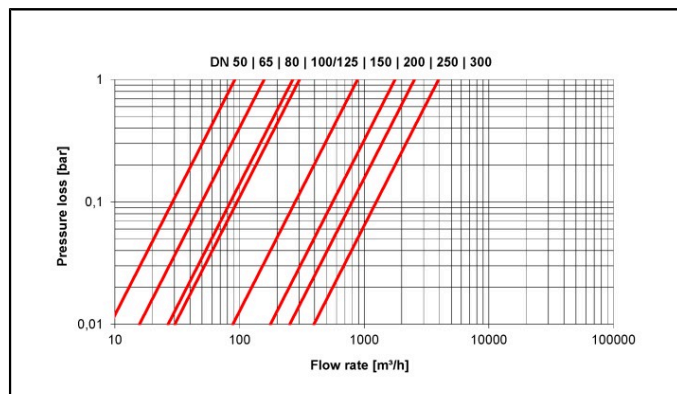
² only available without approval

⁴ special body lengths on request

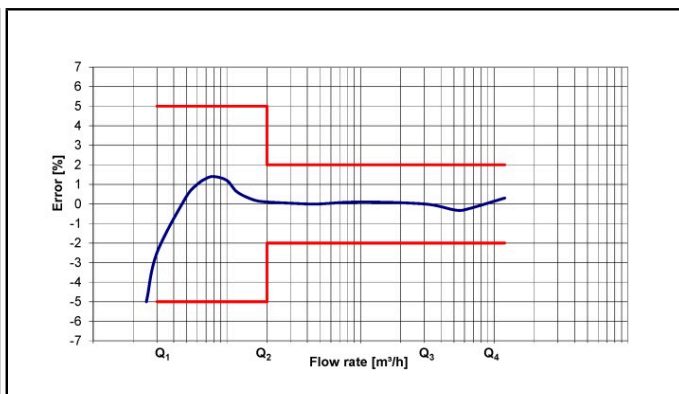
WESAN WP G

WOLTMAN METER

PRESSURE LOSS GRAPH / TYPICAL ERROR GRAPH



Pressure loss graph



Typical error graph